

6

5

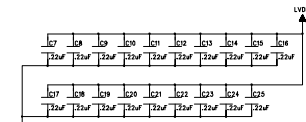
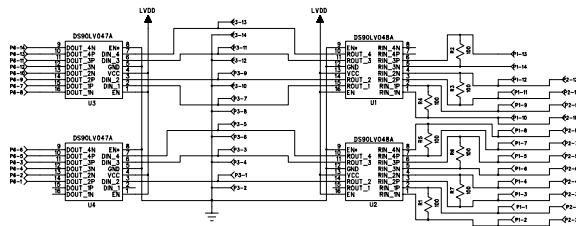
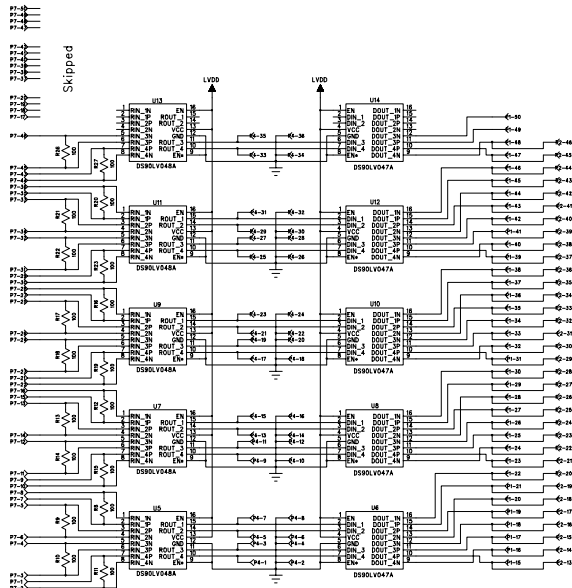
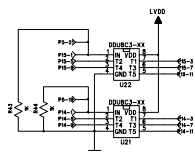
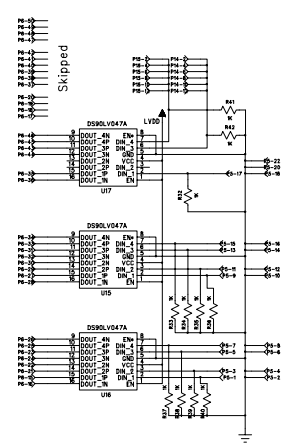
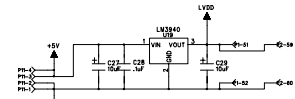
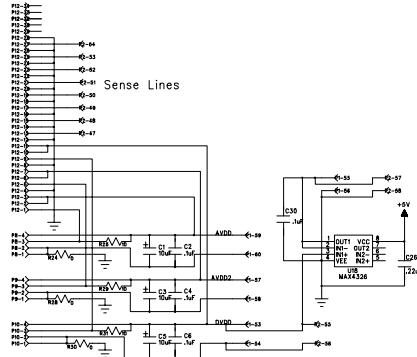
4

3

2

1

REVISION RECORD			
LTR	ECO. NO.	APPROVED:	DATE:



Chips Power Filtering

COMPANY:			
TITLE: SUPPORT BOARD			
FILE SUPPORT04.SCH			
DRAWN: SERGEI KACHIGIN	DATED: 12/04/01	CODE:	SIZE:
CHECKED: MASANARU HIRAYAMA	DATED:	DRAWING NO:	REV:
QUALITY CONTROL: WELCO PRINGER	DATED:	SCALE:	SHEET: OF
RELEASED:			