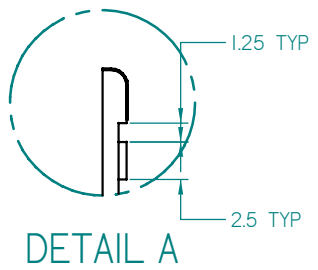
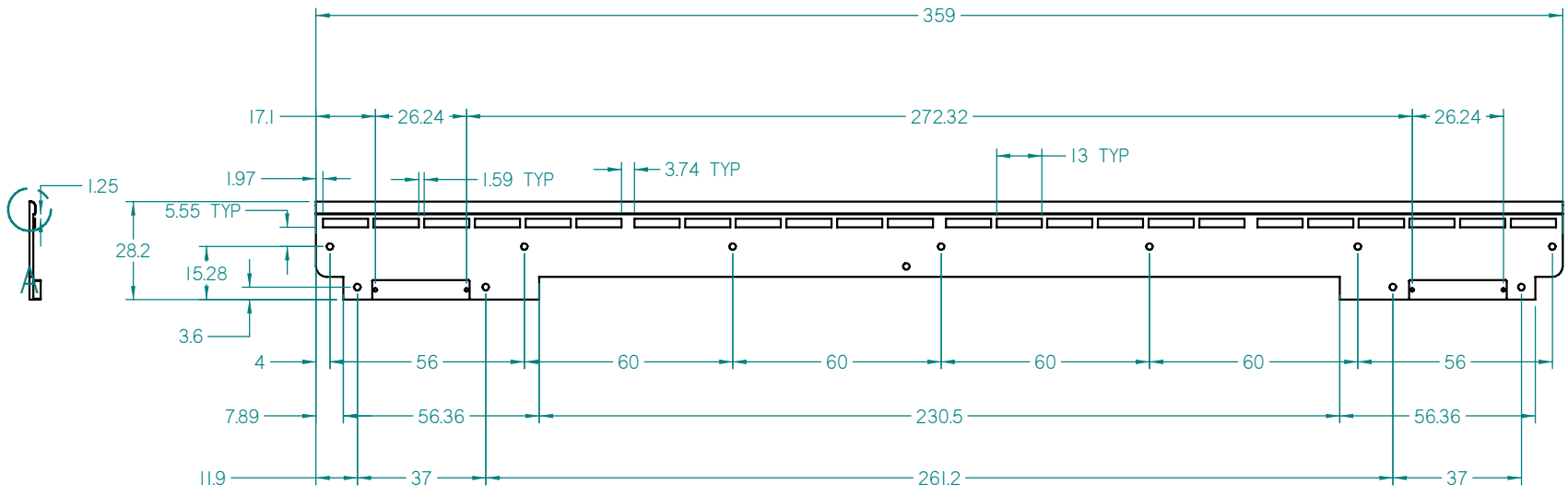


REV	DESCRIPTION	DWN	CHKR	APVD	DATE



---	DIMENSIONING AND TOLERANCING IS IN ACCORDANCE WITH ASME Y14.5M-1994.	SCALE: 1:2	DO NOT SCALE DRAWING	CAD FILE NAME: Draft1
---	UNLESS OTHERWISE SPECIFIED DIMENSIONS ARE IN INCHES.	STANFORD LINEAR ACCELERATOR CENTER U.S. DEPARTMENT OF ENERGY STANFORD UNIVERSITY STANFORD, CALIFORNIA		LAT TRACKER TRAY ASSY MTCM ASSY ASSEMBLY
---	TOLERANCES: BREAK EDGES .005-.015 INTERNAL CORNERS R.015 MAX FRACTIONS ± --- DEC .xx ± .01 .xxx ± .005 .xxxx ± ---	PROPRIETARY DATA OF STANFORD UNIVERSITY AND/OR U. S. DEPARTMENT OF ENERGY. RECIPIENT SHALL NOT PUBLISH THE INFORMATION WITHIN UNLESS GRANTED SPECIFIC PERMISSION OF STANFORD UNIVERSITY.		
---	NEXT ASSEMBLIES:	ENGR T. BORDEN DWN BHATNAGAR CHKR T. BORDEN	DATE APPROVALS T. BORDEN G. GODFREY	DRAWING NUMBER ---
---	ANGLE ± 1/2° ALL SURF ✓	125		REVISION NUMBER 1

SH 1 OF 1